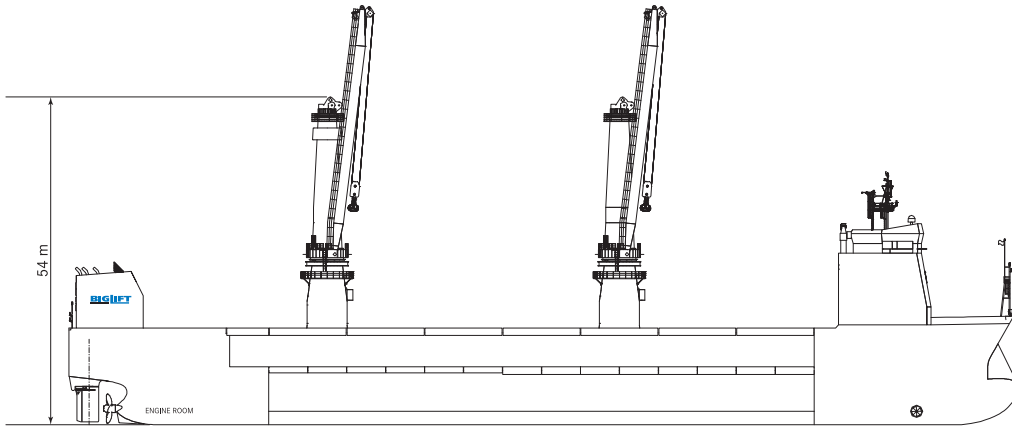
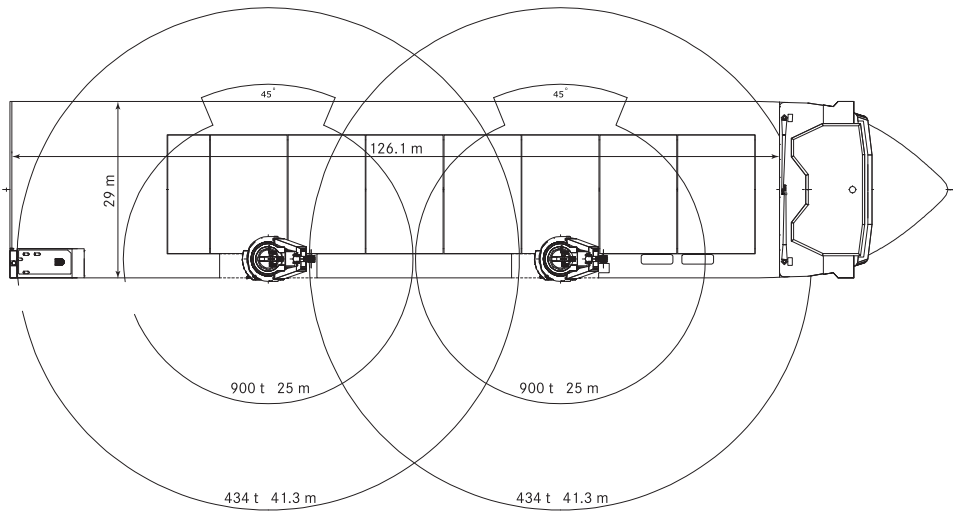


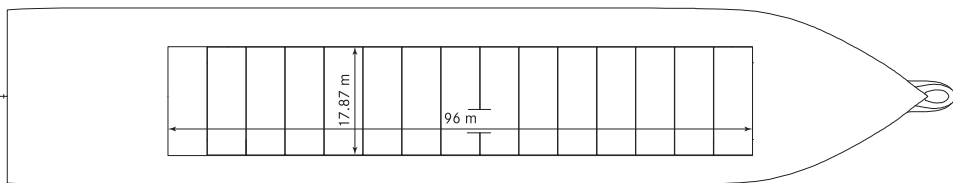
HAPPY STAR



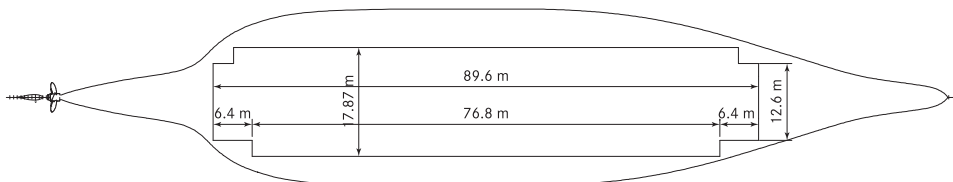
Side View



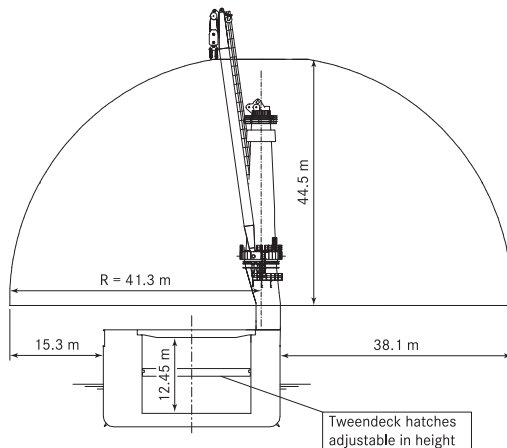
Weatherdeck



Tweendeck



Tanktop



Cross section



HAPPY STAR

| | | | |
|-----------------------------|---|---------------|--|
| Class | LRS ✕100 A1, Ice class 1A (Finnish/Swedish) Strengthened for heavy cargoes | | |
| Principal Dimensions | Length overall | 155.97 | m |
| | Length p.p. | 147.60 | m |
| | Breadth moulded | 29.00 | m |
| | Breadth extreme | 29.14 | m |
| | Summer draft | 9.50 | m |
| | Draft "open sailing" | 7.50 | m |
| Deadweight | Scantling | 19,000 | mton inc. tween deck hatch covers |
| Tonnage | | International | Panama |
| | GT | 18,374 | - |
| | NT | 5,583 | 16,537 |
| Capacity | Grain = bale | 20,535 | m ³ if tween deck installed, 18,677 m ³ |
| Floor space | Weather deck | 3,280 | m ² |
| | Tween deck | 1,716 | m ² |
| | Tank top | 1,624 | m ² |
| Hatch openings | Weather deck | 96.0 x 17.87 | m sailing with open hatches possible |
| | Tween deck | 89.6 x 17.87 | m |
| Heights | Heights adjustable in steps of 50 cm | 12.50 | m with no tween deck |
| | Minimum height | 3.07 | m maximum 8.33 m |
| Allowable loads | Weather deck | 15.0 | t/m ² |
| | Tween deck hatch cover | 15.0 | t/m ² |
| | Tank top | 20.0 | t/m ² |
| Cranes | Combinable | 2,200 | mt SWL |
| | Situated on starboard side | 2 x 1100 | mt SWL |
| | Fitted with trolley | 37.5 | mt SWL |
| Main engine | Wärtsilä 8L46* | 8,775 | kW |
| | Bowthruster | 1,000 | kW |
| | Speed | 16 | kN |
| Container capacity | | 1,228 | TEU |

* Happy Sun: Wärtsilä 7L46F (8,400 kW)

HAPPY STAR

Happy Star Amsterdam The Netherlands 2014

These particulars are believed to be correct, but without guarantee, and they must not be used as basis for Charter Parties or contracts without Owners' explicit written authority.



Radarweg 36 : P.O. Box 2599 : t. +31 (0) 20 - 448 83 00 : info@bigliftshipping.com
1042 AA Amsterdam : 1000 CN Amsterdam : f. +31 (0) 20 - 448 83 33 : www.bigliftshipping.com